

# *Specification Sheet*

## *2023*

**Wei's International Trading Corp**  
**718-815-5600**  
***weisled@msn.com***



### Specification

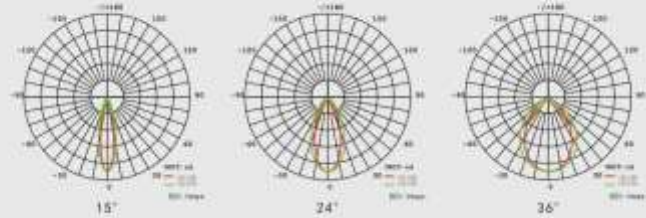
Power Factor(PF)	>0.90
Lumen Efficiency	Around 90Lm/W
CRI	Minimum 80
CCT	3 CCT Adjustable(3000-4000-5000K)
Optional Beam Angle	15°/ 24°/ 36°
Class cations	Class1
Normal Voltage	100-140V
Working temperature	- 35°C < Ta < 35°C
Warranty	3 year
Surge Protection	2 KV
Track adapter	HALO System/ Three wires

Series	Power	Voltage	Beam Angle	CCT	Housing Color
TRL-A	10W 20W 30W	AC100-140V	15°/24°/36°	3000-4000-5000K	CB=Black CW=White



## OPTICS

Tech. Support: Tell us the room length, width, height and the usage. We have an engineer team to respond the DIALUX simulations for lights quantity calculation and effects. .ies files are available upon request.



## Features&Application

- 50% higher energy saving rate than the traditional metal halide lamp.
- No flicker , no dazzle , meanwhile very healthy to the eye.
- Dimmable: Compatible with 90% triac dimmer in whole market.
- Environmental protection: Meet RoHs requirements; Contains no plumbum and tribute elements.

Shopping malls , bo cultural relics exhibition hall, chain stores, brand business hall, professional Windows, counters and other key lighting places.



### Product Dimension



Power	A Inch	B Inch	C Inch	D Inch
10W	2.36	4.92	5.26	1.38
20W	2.99	5.23	5.89	1.38
30W	3.46	5.79	6.02	1.38

### Packing Dimension

Model	Carton size (mm)	N.W. (kg)	G.W (kg)	QTY. (PCS)	20'Container ( PCS)	40'Container ( PCS)
TRL10W-A	550*360*295	14	16	32	/	/
TRL20W-A	330*310*430	9	9.15	16	/	/
TRL30W-A	360*310*400	7	8.6	12	7632	21120

### Conditions&Exclusions

This warranty is conditioned upon proper installation, use and maintenance.

This warranty will automatically become null and void and shall not be applicable to any LED fixture which

- 1) is damaged caused by force majeure such as war, riots, sabotage, cyclones, earthquakes, tidal waves, flooding, lighting strikes, explosions, fire, flood, etc.
- 2) is not installed and operated in accordance with the current edition of The National Electric Code .
- 3) has been moved from its original installation.
- 4) has been installed within an area that has exposure to sulfur or any area with high acidic compounds in use.
- 5) has been operated in an ambient temperature or humidity that is higher than 35 degrees Celsius.
- 6) has been subjected to a lightning strike, power surge or overvoltage condition.
- 7) has been subjected to abnormal stresses and operating conditions.
- 8) has been operated without overvoltage and lightning protection devices in place.



Aluminum Body



Cooling Hole Design



Bright Epistar Chip

### Specification

Power Factor(PF)	>0.90
Lumen Efficiency	Around 100Lm/W
CRI	90
CCT	3 CCT Adjustable(3000-4000-5000K)
Optional Beam Angle	38°
Class cations	Class1
Normal Voltage	100-140V
Working temperature	- 35°C < Ta < 35°C
Warranty	3 year
Surge Protection	3 KV
Track adapter	HALO System/ Three wires

Series	Power	Voltage	Beam Angle	CCT	Housing Color
TRL-A	10W	AC100-140V	38°	3000-4000-5000K	CB=Black CW=White
	20W				
	30W				



### ***Features&Application***

- 50% higher energy saving rate than the traditional metal halide lamp.
- No flicker , no dazzle , meanwhile very healthy to the eye.
- Dimmable: Compatible with 90% triac dimmer in whole market.
- Environmental protection: Meet RoHs requirements; Contains no plumbum and tribute elements.

Shopping malls , bo cultural relics exhibition hall, chain stores, brand business hall, professional Windows, counters and other key lighting places.



### Product Dimension



Power	A Inch	B Inch	C Inch	D Inch
■	■	■	■	■
20W	2.99	5.23	5.89	1.38
30W	3.46	5.79	6.02	1.38

### Packing Dimension

Model	Carton size (mm)	N.W. (kg)	G.W ( kg)	QTY. (PCS)	20'Container ( PCS)	40'Container ( PCS)
■	■	■	■	■	■	■
TRL20W-A	330*310*430	9	9.15	16	/	/
TRL30W-A	360*310*400	7	8.6	12	7632	21120

### Conditions&Exclusions

This warranty is conditioned upon proper installation, use and maintenance.

This warranty will automatically become null and void and shall not be applicable to any LED fixture which  
1) is damaged caused by force majeure such as war, riots, sabotage, cyclones, earthquakes, tidal waves, flooding, lighting strikes, explosions, fire, flood, etc.

2) is not installed and operated in accordance with the current edition of The National Electric Code .

3) has been moved from its original installation.

4) has been installed within an area that has exposure to sulfur or any area with high acidic compounds in use.

5) has been operated in an ambient temperature or humidity that is higher than 35 degrees Celsius.

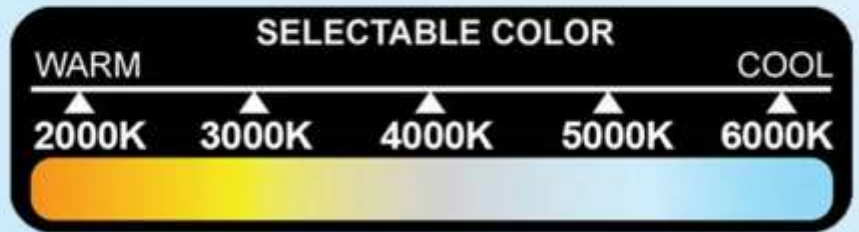
6) has been subjected to a lightning strike, power surge or overvoltage condition.

7) has been subjected to abnormal stresses and operating conditions.

8) has been operated without overvoltage and lightning protection devices in place.



## 5CCT ADJUSTABLE



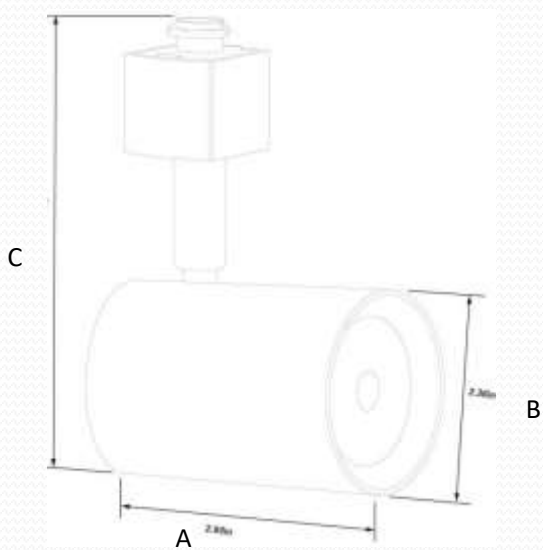
### Product description

- ◆ Lumen Efficiency: 80 Lm/W
- ◆ No flicker, no dazzle, meanwhile very healthy to the eye.
- ◆ Life span: 30,000hrs, 3 Years warranty.
- ◆ IP20 Waterproof
- ◆ Beam angle: 38°
- ◆ Applications: Shopping malls , bo cultural relics exhibition hall, chain stores,  
\*brand business hall, professional Windows, counters and other key lighting places.



# Technical data

Model	10W LED Track Light-Mar Series
Power(W)	10W
Size(mm)	Φ55.1 x 80.8mm
IP protection	IP20
Lumen efficiency	100Lm/W
Voltage	AC100-140V
CRI	>90
Power factor(PF)	>0.9
Beam angle	38°
Working temp.	- 35°C < Ta < 35°C



Model	A (inch)	B (inch)	C (inch)
10W Track Light	2.95	2.36	5.1

Model	Carton size (mm)	N.W. (kg)	G.W ( kg)	QTY. (PCS)	20'Container ( PCS)	40'Container ( PCS)
TRL10W-M	37.5*29*31	9.5	12.1	9.5	/	/

# 110V COB LED STRIP LIGHTING (2023.05.10)

<b>STYLE</b>	<b>8MM-COB-288-36</b>	
<b>DESCRIPTION</b>	environmental ,no sulfur, high transparent material	
<b>photo</b>		
<b>STYLE</b>	<b>8MM-COB-288-36</b>	
<b>SPECIFICATION</b>	1	8*12*6±0.5mm , 1m=288led, 620COB
	2	without wire
	3	PVC
	4	NW : 7.5 KG GW : 8 KG
	5	50M/ROLL, 1ROLL/COLOR BOX
	6	AC90V~130V 50~60Hz
	7	10.5W/m±0.5W/m
	8	880LM
	9	Ra≥70
	10	3000K/4000K/6500K/BBLUE
	11	2YEARS OF WARRANTY
	12	IP65
	13	OPERATING ENVIRONMENT : -15°C~45°C